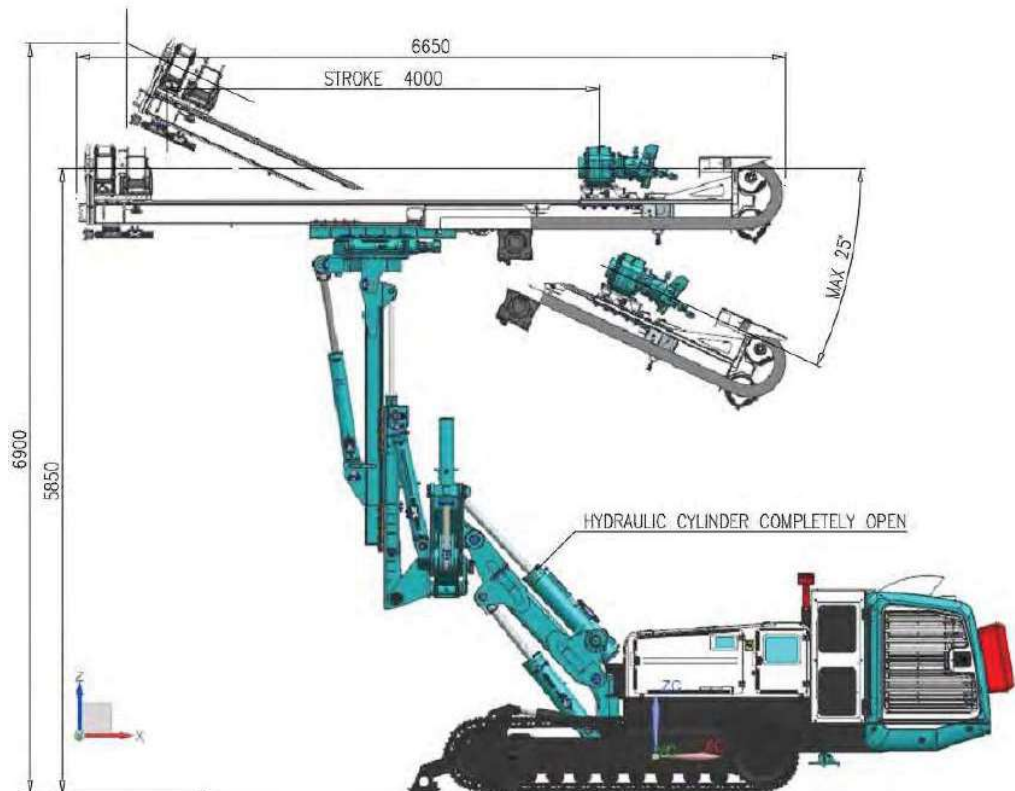
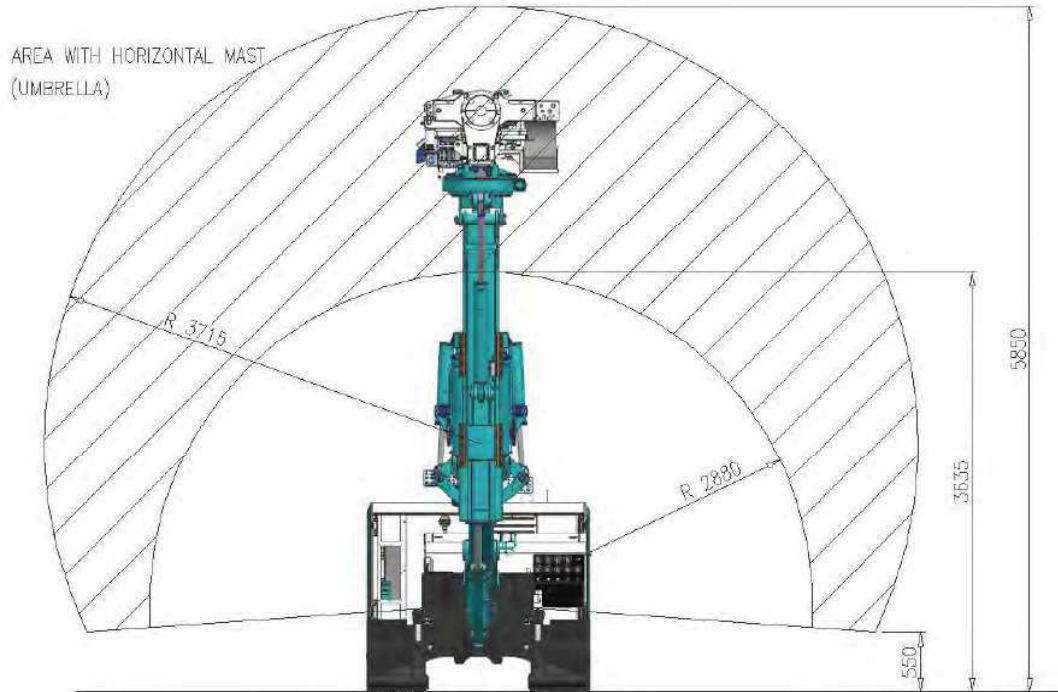


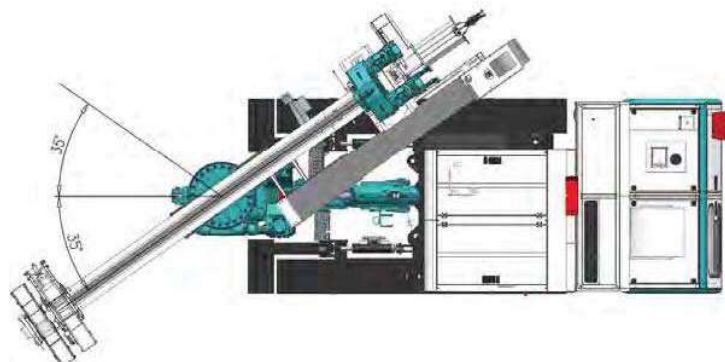
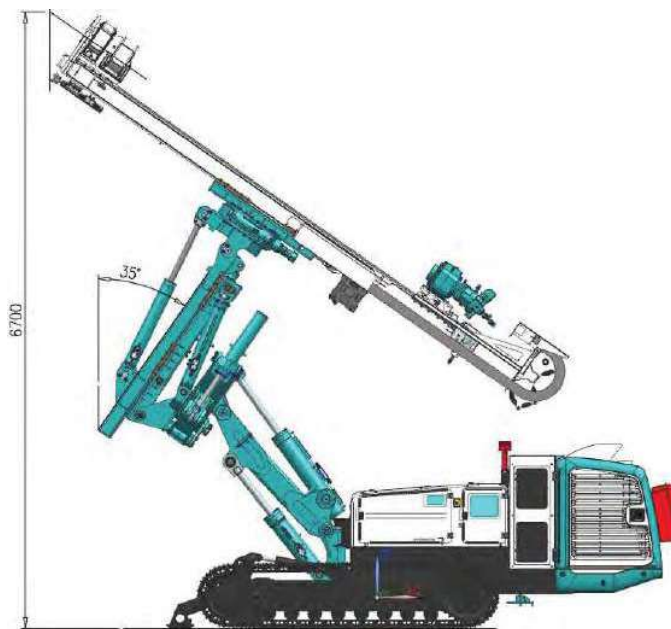
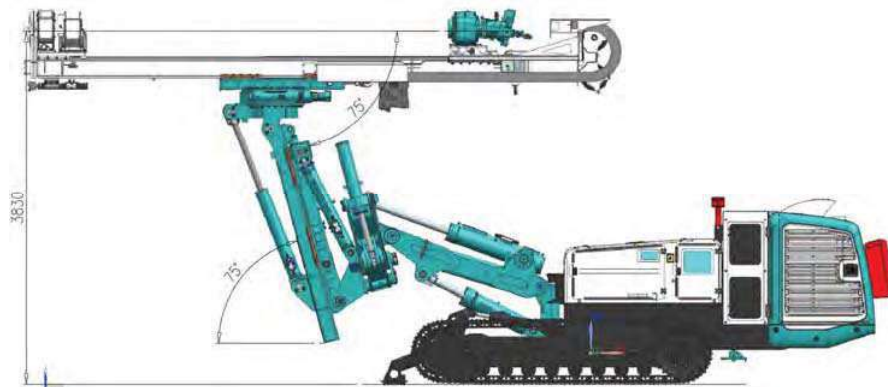


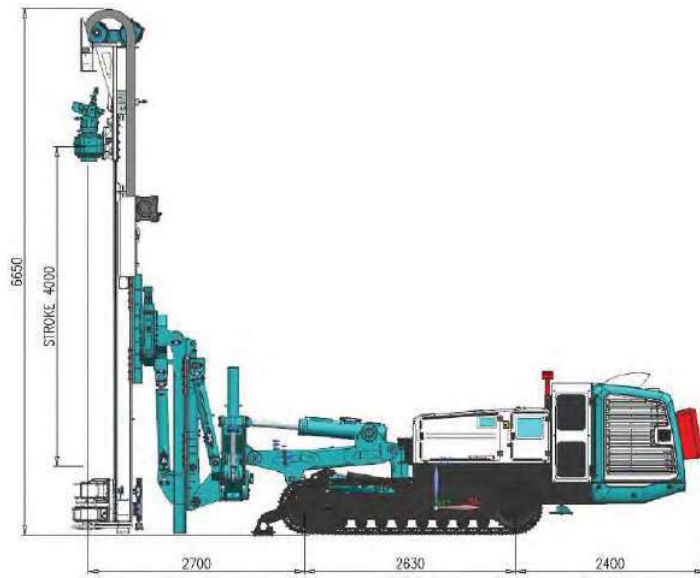
HYDRAULIC CRAWLER DRILLING RIG

C6XP-2-T
DUAL POWER

FOREPOLING (UMBRELLA)



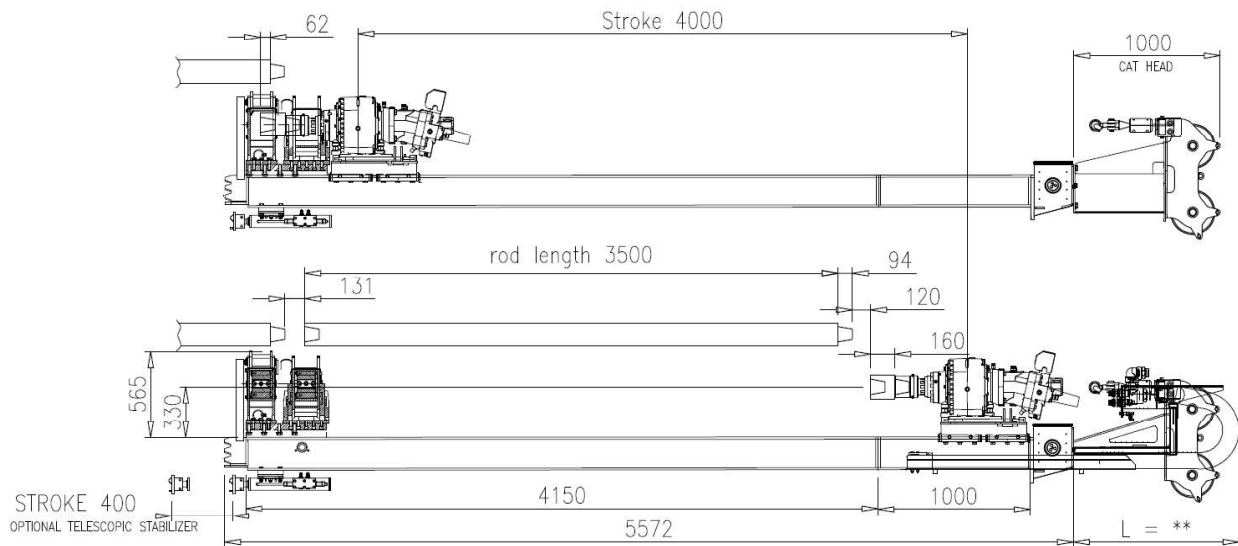




MAST		
Work extraction / crowd force – effective of chain	50 / 50 kN	60 / 60 kN ⁽¹⁾
Work speed Crowd / Extraction	10 m/min	
Fast speed Crowd / Extraction	45 m/min	

⁽¹⁾ Optional

**MAST WITH M2Z – M2SZ CLAMPS
T14 ROTARY HEAD WITH DRIVE SLEEVE**



**	With rotary head side movement	1080 mm
	Without rotary head side movement	200 mm





Forepoling with C6XP-2 T

PROJECT DESCRIPTION

- Auxiliary tunnel for the recovery of a TBM blocked by a landslide, Schwanden, SWITZERLAND
- Project description: ~400 m forepoling for tunnel excavation
- Schedule drilling job: January 2018 - June 2018 (expected)

PROJECT QUANTITIES AND GENERAL DATA

- Drilling system: double head system with DTH and casing
- Drilling diameter: Ø 114 mm casing and rods Ø 76 mm – length 2 m
- Drilling length: 12m - single drilling (overall drilled length for each front ~1200 m)
- Advance rate: excavation by 4 m steps

PRODUCTION DATA

- Single front drilling in two weeks (24/24 hours - 5/7 days). (In the weekends the machine is out of tunnel for safety reasons)





EQUIPMENT

- C6xp-2 Full Radio arranged with :
 - 119 kW power by Cummins QSB 6.7 engine – emission stage 4
 - **special mast kinematic for tunneling application**
 - mast DM180 – 4 m stroke - extraction / crowd force 50 kN
 - double rotary head RH900-casing and RH200-rods
 - clamps MM2-MM2S - \varnothing 40÷159 mm

